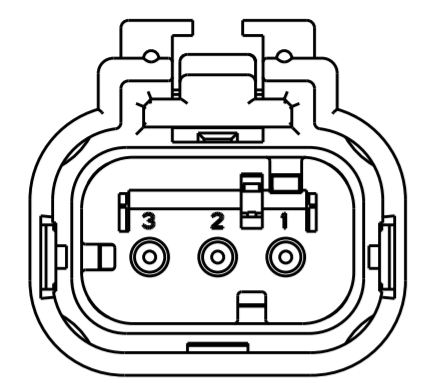
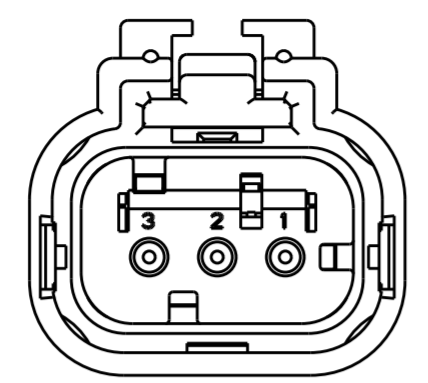


THIS DRAWING IS UNPUBLISHED. RELEASED FOR PUBLICATION 20
 © COPYRIGHT 20 BY - ALL RIGHTS RESERVED.

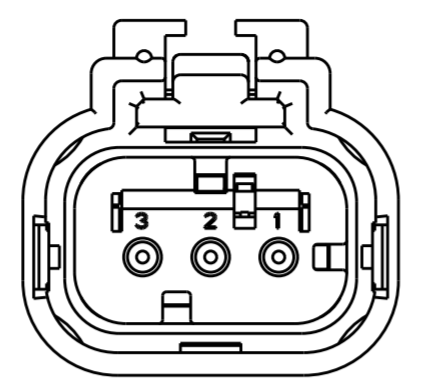
REVISIONS				
P	LTR	DESCRIPTION	DATE	APVD
E		REVISED PER ECO-13-019095	05DEC2013	DR RB



776523-2
SCALE 2:1
KEY B

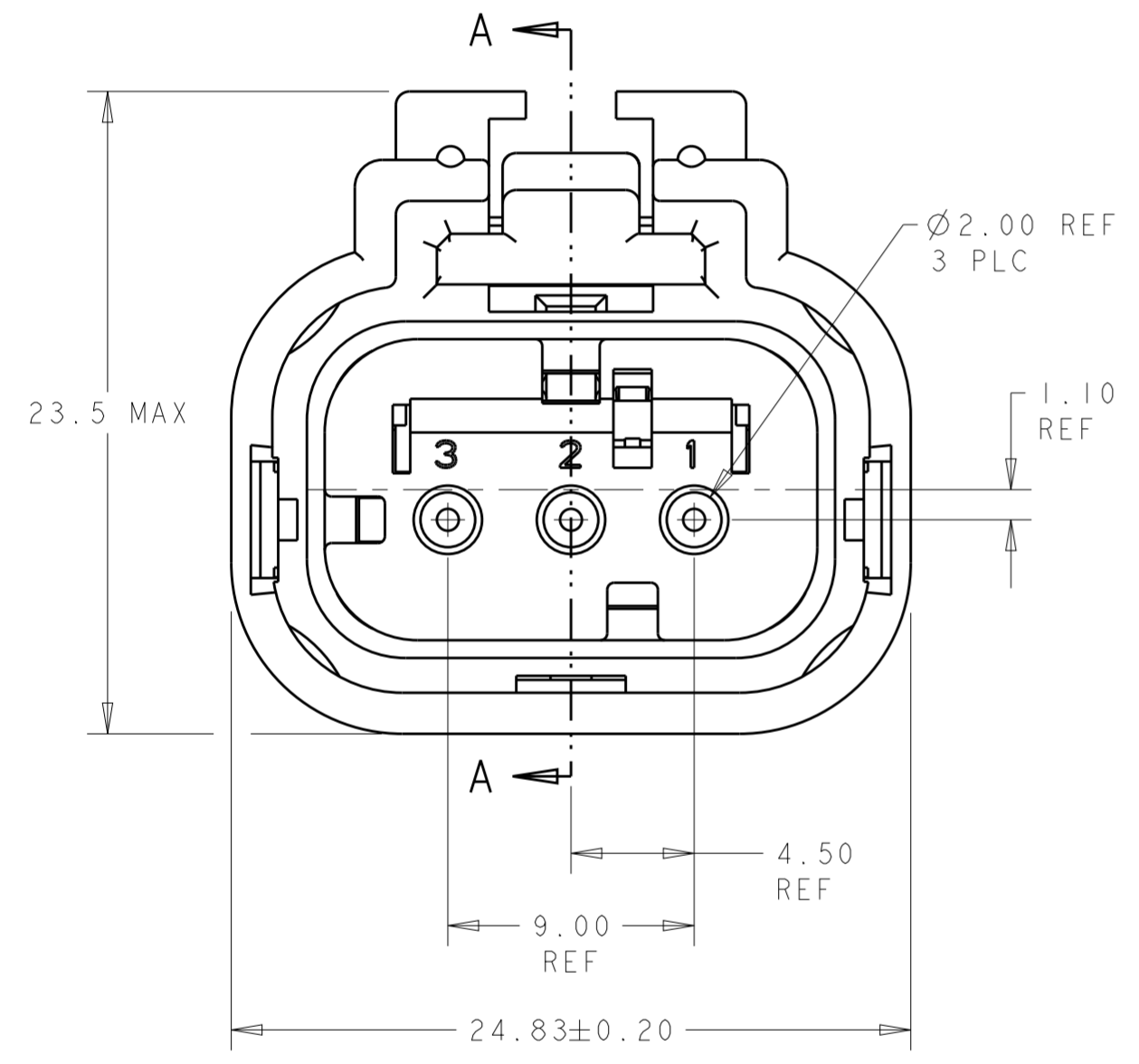


776523-3
SCALE 2:1
KEY C

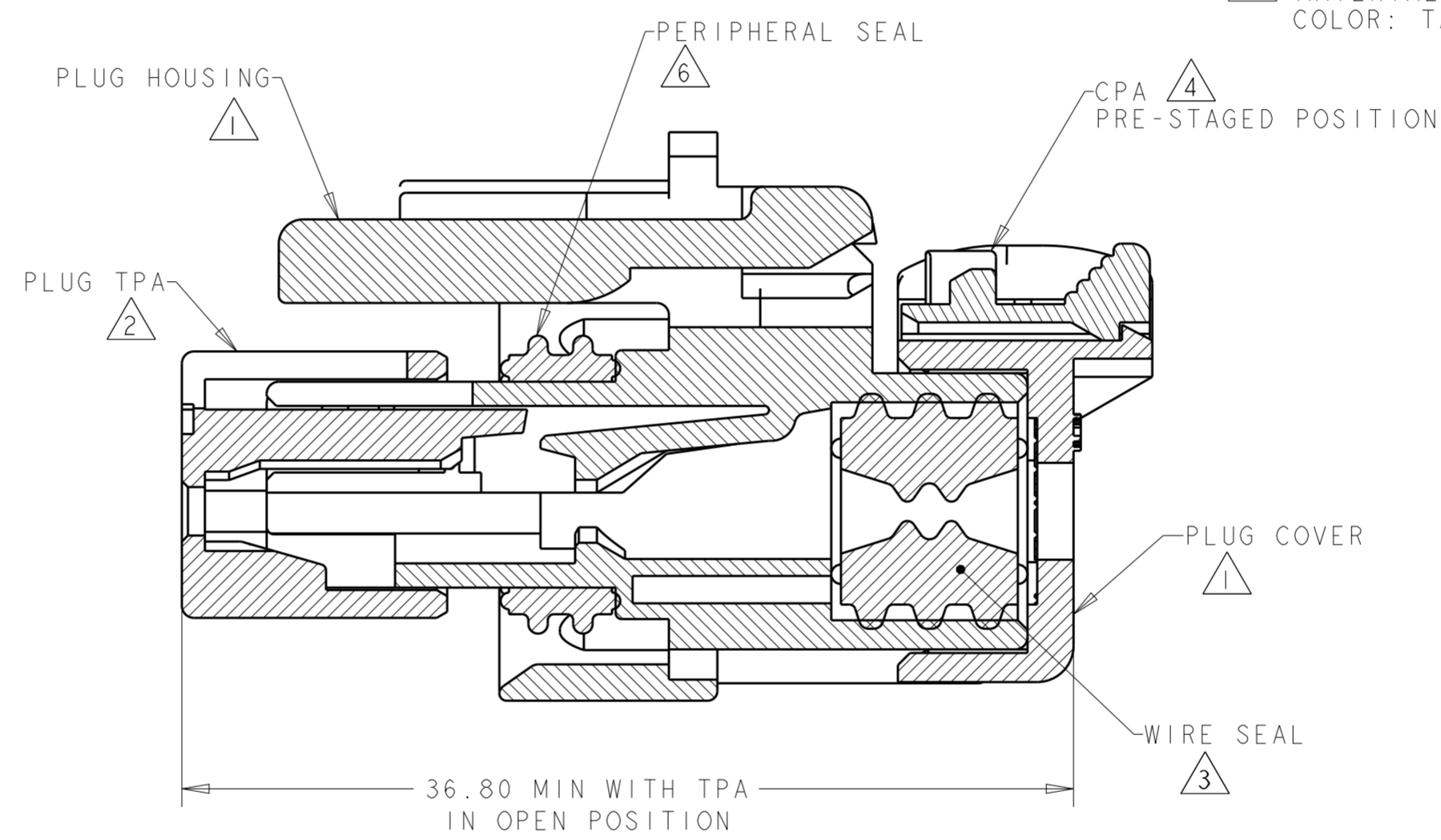


776523-4
SCALE 2:1
KEY D

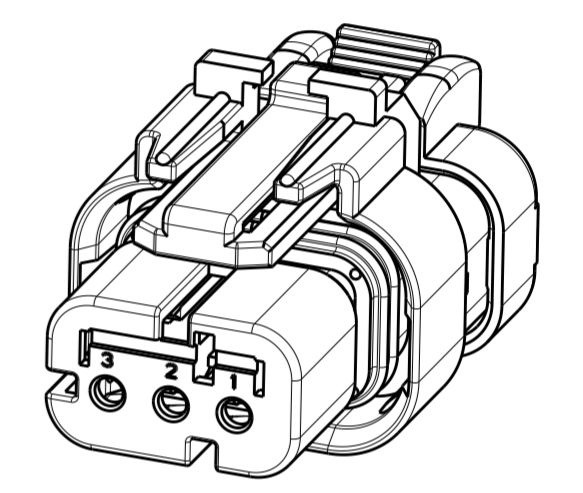
- 1 MATERIAL: 15% GLASS FILLED THERMOPLASTIC
COLOR: BLACK
- 2 MATERIAL: 15% GLASS FILLED THERMOPLASTIC
COLOR: (SEE TABLE)
- 3 MATERIAL: SILICONE
COLOR: RUST
- 4 MATERIAL: 15% GLASS FILLED THERMOPLASTIC
COLOR: RED
- 5. RECOMMENDED WIRE DIAMETER RANGE IS 1.30 TO 2.54mm.
- 6 MATERIAL: SILICONE
COLOR: TAN



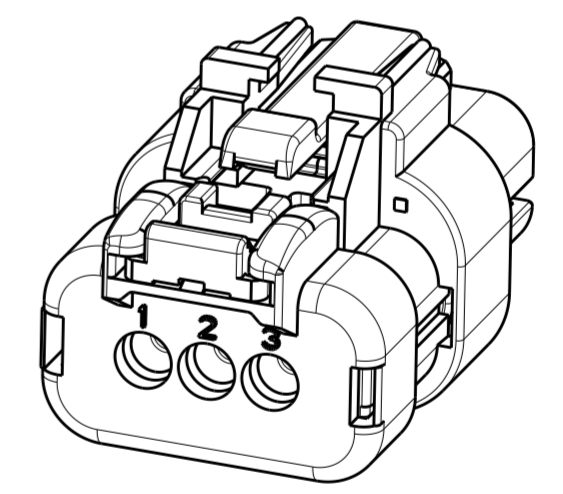
776523-1 SHOWN
KEY A



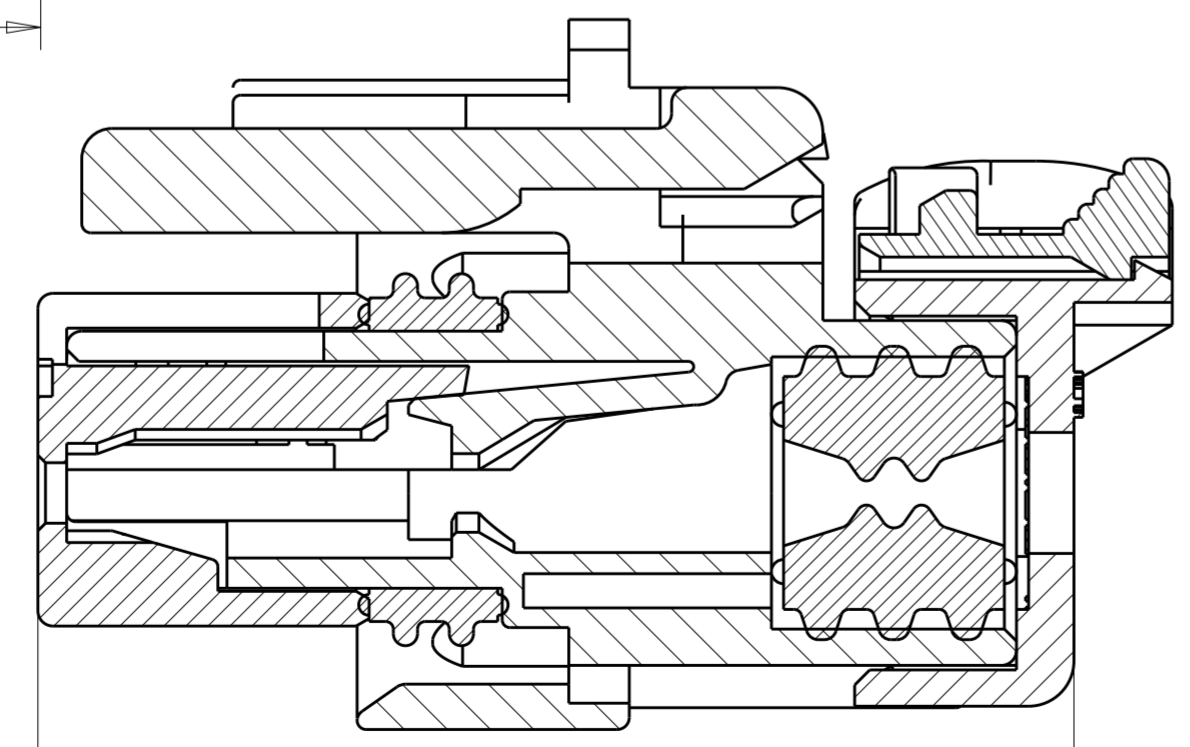
SECTION A-A



SCALE 2:1



SCALE 2:1



SECTION A-A

D	GREEN	776523-4
C	YELLOW	776523-3
B	GRAY	776523-2
A	RED	776523-1
KEY	TPA COLOR	PART NUMBER

THIS DRAWING IS A CONTROLLED DOCUMENT.		DWN AJ GRAFF 22FEB00	TE Connectivity
DIMENSIONS: mm		CHK R GREINER 11DEC01	
TOLERANCES UNLESS OTHERWISE SPECIFIED:		APVD M TRULLI 11DEC01	
0 PLC ± 1 PLC ± 2 PLC ± 3 PLC ± 4 PLC ± ANGLES ± FINISH -		PRODUCT SPEC 108-2184 APPLICATION SPEC 114-13065 WEIGHT 10 Customer Drawing	
NAME PLUG ASSEMBLY, 3 POSITION, SINGLE ROW REDUCED DIA WIRE SEAL, AMPSEAL 16			RESTRICTED TO
SIZE A20779			CAGE CODE C-776523
SCALE 4:1			SHEET OF REV E